



---

**KIT PART NUMBER 6400189**

**INSTRUCTIONS FOR INSTALLING A GROUNDING JUMPER ON A BREWER-EQUIPPED CAFE' SYSTEM 7**

---

**CHECK THE PARTS RECEIVED IN THE KIT WITH THE PARTS LIST IN THESE INSTRUCTIONS. IF ANY PARTS ARE MISSING, CONTACT THE NATIONAL VENDORS PARTS DEPARTMENT IMMEDIATELY.**

---

Read these instructions carefully before installing the kit.  
Keep these instructions for part numbers and for future reference.

**This kit contains the following:**

<b>INDEX</b>	<b>PART NUMBER</b>	<b>DESCRIPTION</b>	<b>QUANTITY</b>
1	6402059	JUMPER - COIN HANDLING GROUND	1
2	3157060	SCREW - #8-32 X .31	1
3	6400190	INSTRUCTIONS	1

1. Unplug the machine from its power source.
2. Remove the coin mechanism.
3. Remove the monetary plate and return chute assembly.

REFER TO FIGURE 1

4. Using a 0.140" bit, drill a hole in the side flange of the machine cabinet in the approximate location shown.
5. Connect the jumper (1) to the lower right header on the controller board.
6. Route the lug on the jumper wire through the clamp and secure it to the cabinet using the screw (2).
7. Replace the monetary plate and return chute assembly.
8. Replace the coin mechanism.
9. Restore power to the machine.

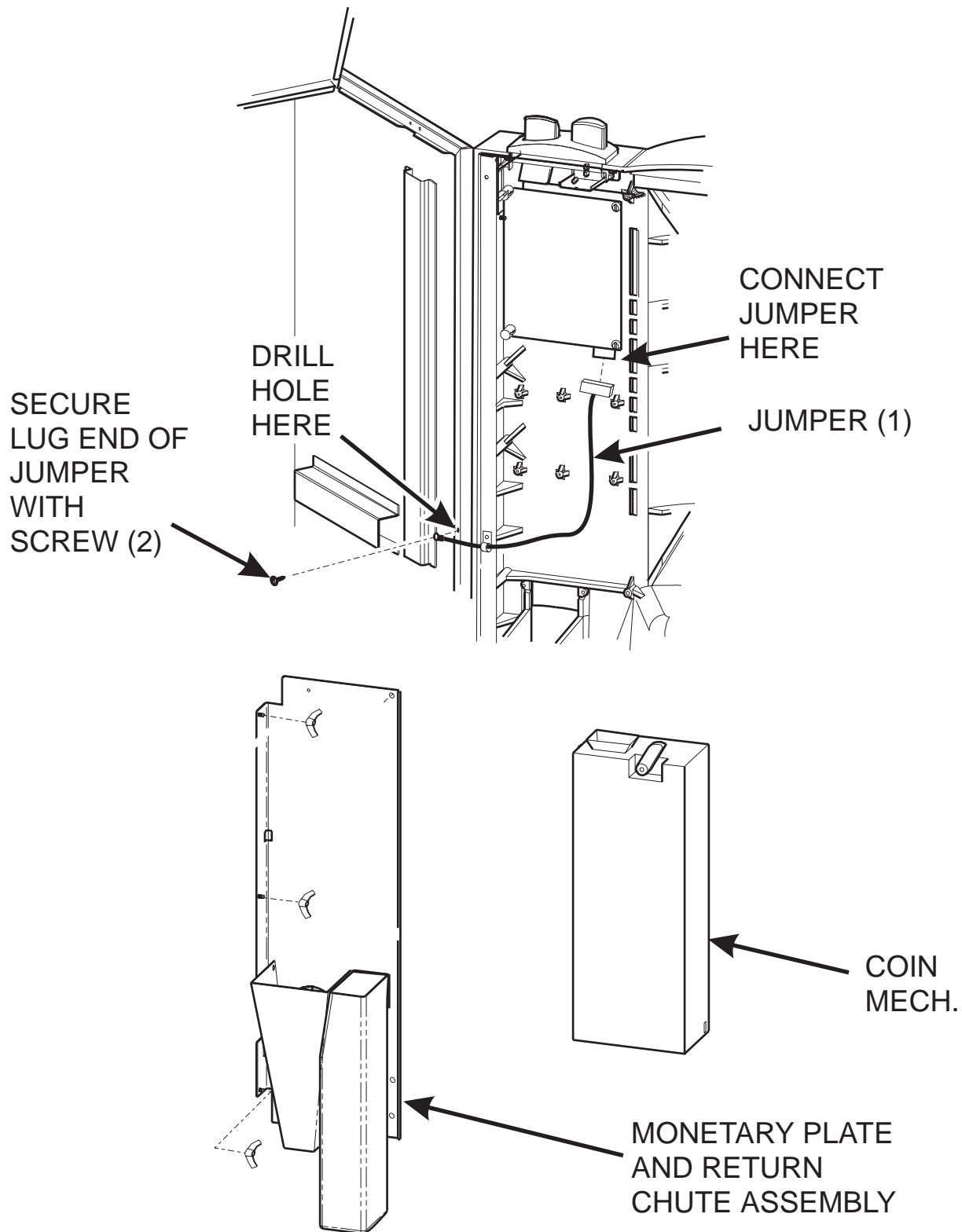


Figure 1